



# SAW Components

Data Sheet R 771





**SAW Components**

**R 771**

**Resonator**

**314,875 / 315,125 MHz**

**Data Sheet**

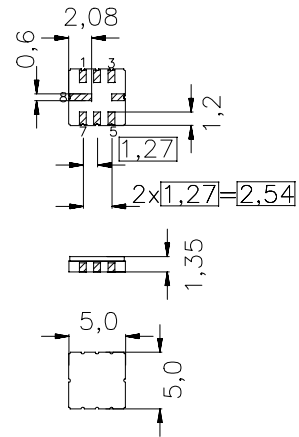
Ceramic package **QCC8C**

**Features**

- 1-port resonator (2 Resonators in 1 housing)
- Provides reliable, fundamental mode, quartz frequency stabilization i.e. in transmitters or local oscillators
- Protection layer: Protec

**Terminals**

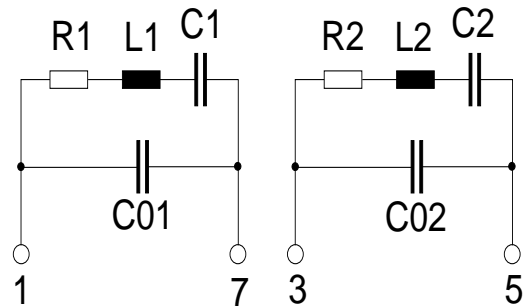
- Ni, gold plated



Dimensions in mm, approx. weight 0,1 g

**Pin configuration**

- |     |               |
|-----|---------------|
| 1   | Input Reso 1  |
| 3   | Input Reso 2  |
| 7   | Output Reso 1 |
| 5   | Output Reso 2 |
| 4,8 | Ground (case) |
| 2,6 | float         |



Type	Ordering code	Marking and Package according to	Packing according to
R 771	B39311-R 771-U310	C61157-A7-A56	F61074-V8169-Z000

Electrostatic Sensitive Device (ESD)

**Maximum ratings**

Operable temperature range	$T_A$	-45/+120	°C	between any terminals
Storage temperature range	$T_{stg}$	-45/+120	°C	
DC voltage	$V_{DC}$	12	V	
Source power	$P_s$	0	dBm	



**SAW Components**

**R 771**

**Resonator**

**314,875 / 315,125 MHz**

**Data Sheet**

**Characteristics Resonator 1**

Reference temperature:  $T_A = 25\text{ °C}$   
 Terminating source impedance:  $Z_S = 50\ \Omega$   
 Terminating Load impedance:  $Z_L = 50\ \Omega$

		<b>min.</b>	<b>typ.</b>	<b>max.</b>	
<b>Center frequency Resonator 1<sup>1)</sup></b>	$f_c$	314,825	314,875	314,925	MHz
<b>Frequency offset Resonator 2 to Resonator 1</b>	$f_{\text{offset}}$	200,0	250,0	300,0	KHz
<b>Minimum insertion attenuation</b>	$\alpha_{\text{min}}$	—	1,3	1,6	dB
Unloaded quality factor	$Q_U$	9600	13200	—	
<b>Ageing of <math>f_c</math></b>		—	—	$\pm 50$	ppm
<b>Equivalent circuit elements</b>					
Motional capacitance	$C_1$	—	2,39	—	fF
Motional inductance	$L_1$	—	106,94	—	$\mu\text{H}$
Motional resistance	$R_1$	—	16	22	$\Omega$
Parallel capacitance <sup>2)</sup>	$C_{01}$	—	3,1	—	pF
<b>Temperature coefficient of frequency<sup>3)</sup></b>	$TC_f$	—	- 0,03	—	ppm/K <sup>2</sup>
<b>Turnover temperature</b>	$T_0$	0	—	30	$^{\circ}\text{C}$

- 1) Center frequency is defined as the maximum of the real part of the admittance.
- 2) If used in two port configuration (pin 1-input, pin 7-output)  $C_0$  is reduced by approx. 0,3 pF.
- 3) Temperature dependence of  $f_c$ :  $f_c(T_A) = f_c(T_0)(1 + TC_f(T_A - T_0)^2)$



**SAW Components**

**R 771**

**Resonator**

**314,875 / 315,125 MHz**

**Data Sheet**

**Characteristics Resonator 2**

Reference temperature:  $T_A = 25\text{ °C}$   
 Terminating source impedance:  $Z_S = 50\ \Omega$   
 Terminating Load impedance:  $Z_L = 50\ \Omega$

		<b>min.</b>	<b>typ.</b>	<b>max.</b>	
<b>Center frequency Resonator 2<sup>1)</sup></b>	$f_c$	315,075	315,125	315,175	MHz
<b>Frequency offset Resonator 2 to Resonator 1</b>	$f_{\text{offset}}$	200,0	250,0	300,0	KHz
<b>Minimum insertion attenuation</b>	$\alpha_{\text{min}}$	—	1,3	1,6	dB
Unloaded quality factor	$Q_U$	9600	13200	—	
<b>Ageing of <math>f_c</math></b>		—	—	$\pm 50$	ppm
<b>Equivalent circuit elements</b>					
Motional capacitance	$C_2$	—	2,38	—	fF
Motional inductance	$L_2$	—	107,32	—	$\mu\text{H}$
Motional resistance	$R_2$	—	16	22	$\Omega$
Parallel capacitance <sup>2)</sup>	$C_{02}$	—	3,1	—	pF
<b>Temperature coefficient of frequency<sup>3)</sup></b>	$TC_f$	—	- 0,03	—	ppm/K <sup>2</sup>
<b>Turnover temperature</b>	$T_0$	0	—	30	$^{\circ}\text{C}$

- 1) Center frequency is defined as the maximum of the real part of the admittance.
- 2) If used in two port configuration (pin 3-input, pin 5-output)  $C_0$  is reduced by approx. 0,3 pF.
- 3) Temperature dependence of  $f_c$ :  $f_c(T_A) = f_c(T_0)(1 + TC_f(T_A - T_0)^2)$



**SAW Components**

**R 771**

**Resonator**

**314,875 / 315,125 MHz**

**Data Sheet**

**Published by EPCOS AG**

**Surface Acoustic Wave Components Division, SAW CE AE PD**

**P.O. Box 80 17 09, D-81617 München**

© EPCOS AG 2004. All Rights Reserved. Reproduction, publication and dissemination of this brochure and the information contained therein without EPCOS' prior express consent is prohibited.

The information contained in this brochure describes the type of component and shall not be considered as guaranteed characteristics. Purchase orders are subject to the General Conditions for the Supply of Products and Services of the Electrical and Electronics Industry recommended by the ZVEI (German Electrical and Electronic Manufacturers' Association), unless otherwise agreed.

This brochure replaces the previous edition.

For questions on technology, prices and delivery please contact the Sales Offices of EPCOS AG or the international Representatives.

Due to technical requirements components may contain dangerous substances. For information on the type in question please also contact one of our Sales Offices.